

GENIX VT

AUTOMATIC LIFTING STATIONS



TECHNICAL DATA

Liquid temperature range:

From 0°C to +75 °C up to +90°C for 30 min.

Liquid pumped:

Sewage water containing fecal matter as regulated by EN 12050-3.

Third parts certifications: LGA

Tank capacity and delivery: 1-90 m³/h with dynamic head up to 8 metres

International Protection grade: IP44.

APPLICATIONS

Its use is needful whenever the wastewater coming from the WC, the shower, the washbasin or the bidet cannot be expelled by gravity. These lifting stations can be installed wherever there is the wish to add a toilet during new installations or constructions, renovations, or structural modifications. GENIX 110 has the facility to connect one high drain utility, like a washbasin; GENIX 130 has the facility to connect up to three utilities, even with low drain as a shower, bidet or bathtub.. Our models offer silent operation and reliable performance, thanks to a powerful motor which allows to work with temperatures up to 90 deg C. Extremely easy the maintenance in case of clog or motor blocking, with the possibility to dismount the motor subassembly only operating on two screws, and with the unique discharge tap that will allow a clean, and free of problems, maintenance. The non-return valves are integrated in the delivery pipe, and for the 130 models in the lateral bottom inlets. Available, as accessories, an acoustic alarm anti-flooding and an adaptor pipe, to adapt the GENIX to a vast majority of existing installations.

CONSTRUCTIONAL CHARACTERISTICS

30% barium-loaded polypropylene tank. 30% fibre-glass PPO impeller. Stainless steel drive shaft.

MOTOR CONSTRUCTIONAL CHARACTERISTICS

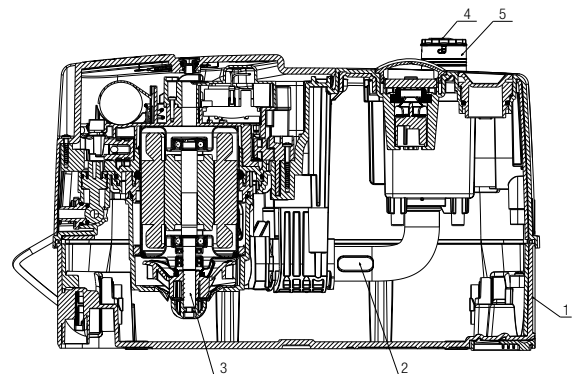
Induction type, stainless steel. Stainless steel shaft and cover.

Thermal cut-out protection.

Wear-resistant motor shaft.

MATERIALS

N°	DESCRIPTION	MATERIALS	
1	TANK	PP 15% BARIO	
2	PIPE	EPDM	
3	GENIX VT FLANGE GROUP V230-50Hz	MOTOR-SLEEVE	AISI 304
		MOTOR-SHAFT	AISI 416
		IMPELLER	PPO 30% FIBERGLASS
		IMPELLER NUT	PPO 30% FIBERGLASS
		FLANGE	PP 30% FIBERGLASS
		PUMP BODY	PP 30% FIBERGLASS
		ALIGNING RING	PP 30% FIBERGLASS
		DIFFUSER	PP 30% FIBERGLASS
4	VALVE GROUP	NON RETURN VALVE BODY	PP 30 FIBERGLASS
		OVAL CLAPET VALVE	EPDM
		OR -3118 29.82 X 2.62	NBR
5	DELIVERY PIPE	PP 30 FIBERGLASS	

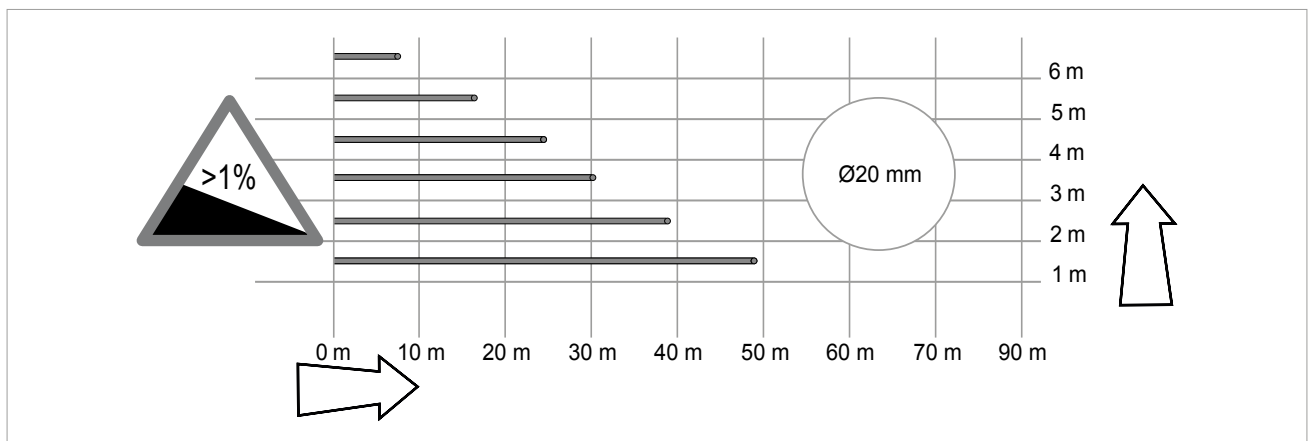
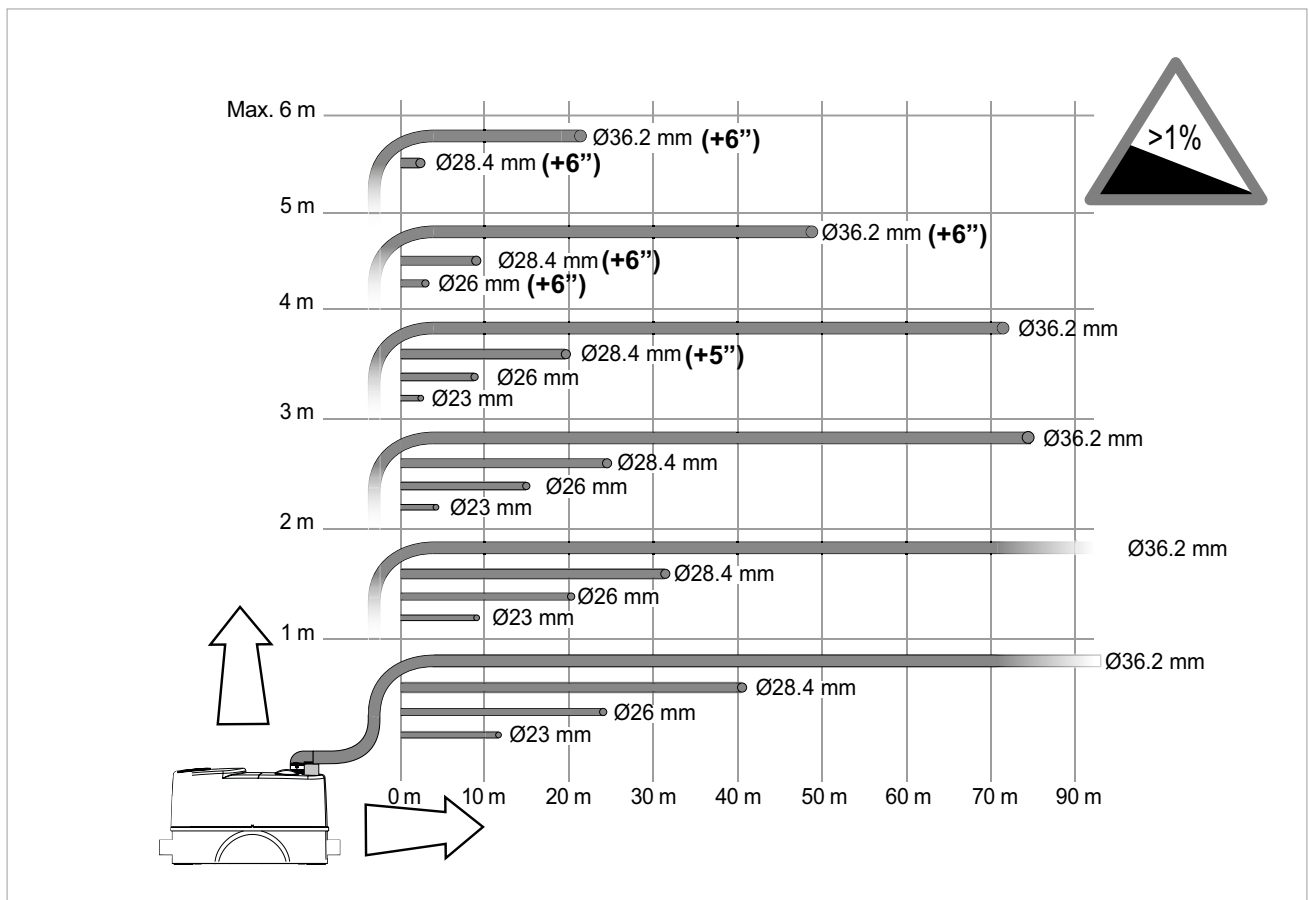
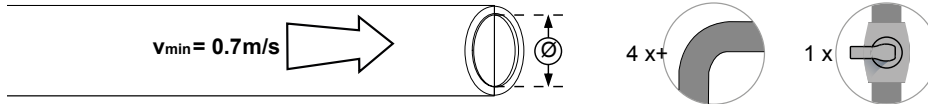
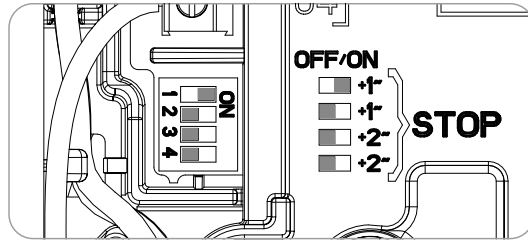


Visit [Plumb2u](#)

See product



INSTALLATION INSTRUCTIONS

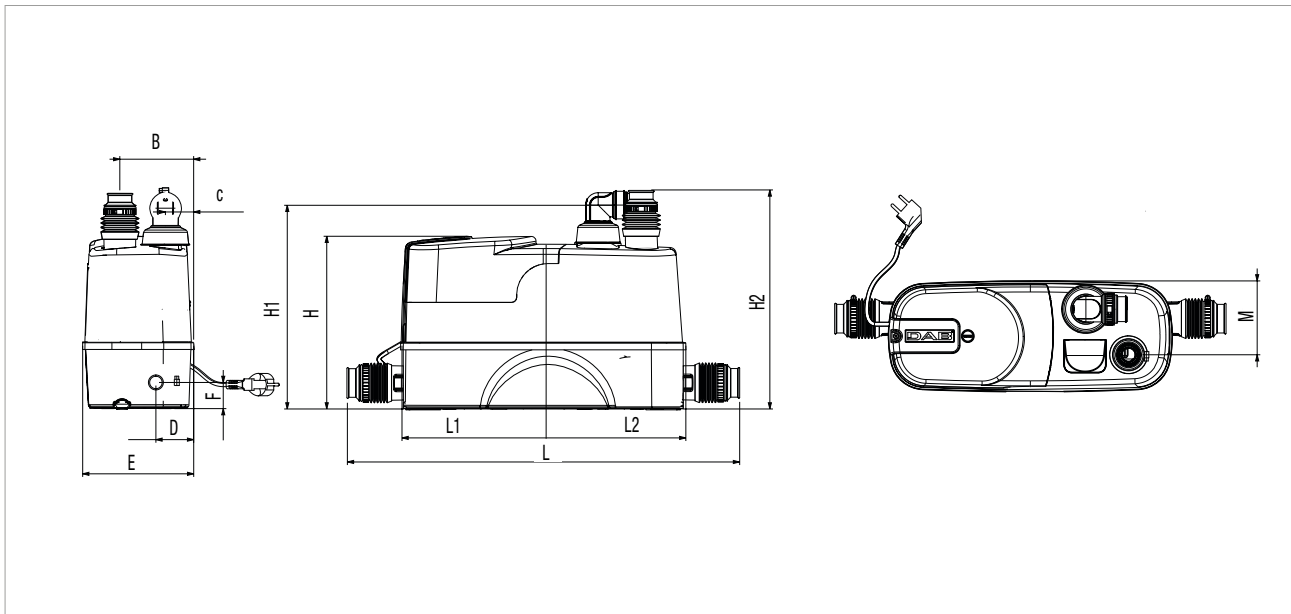


Visit Plumb2u

See product

GENIX VT - AUTOMATIC LIFTING STATIONS

Liquid temperature range from 0° to +75°C



MODEL	ELECTRICAL DATA				
	VOLTAGE 50 Hz	P1 MAX kW	P2 NOMINAL		In A
			kW	HP	
GENIX VT 010	1 x 230 V ~	530 W	0,32	0,44	2,5
GENIX VT 030	1 x 230 V ~	530 W	0,32	0,44	2,5

MODEL	A	B	C	D	E	F	G	H	H1	H2	I	L	L1	L2	M	N	PACKING DIMENSION			VOLUME (mc)	WEIGHT Kg
	L/A	L/B	H																		
GENIX VT 010	183	125	56	/	178	/	80	277	322	346	150	456	/	/	125	/	538	227	426	0,052	10
GENIX VT 030	183	125	56	60	178	42	80	277	322	346	150	456	322	307	125	/	538	227	426	0,052	10,3

Visit [Plumb2u](https://www.plumb2u.com)

See product



INSTALLATION

